



**REICHENBACH**  
EQUIPMENT



**REICHENBACH**  
EQUIPMENT

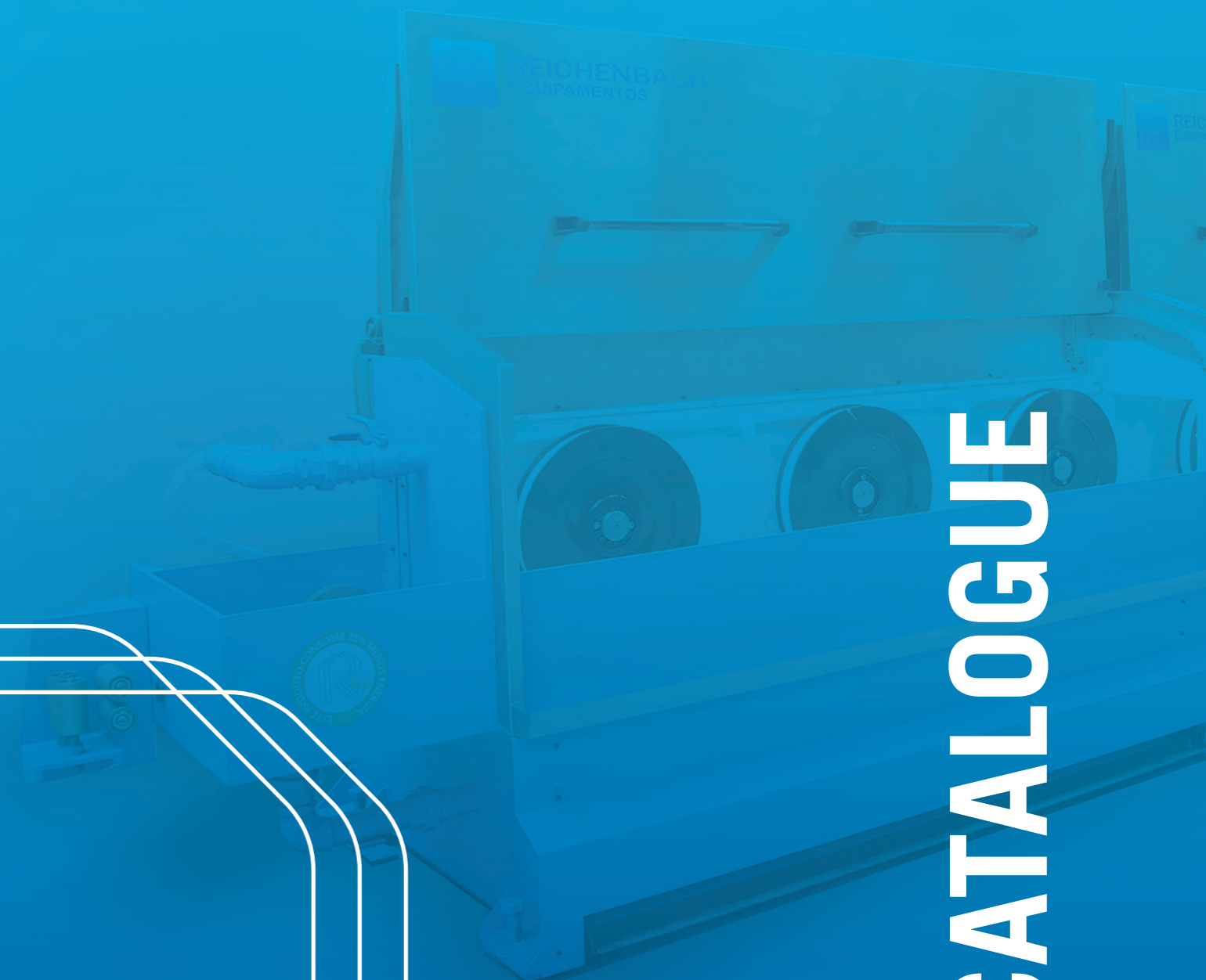


## **Reichenbach Equipamentos Ind. e Com. Ltda.**

Alameda dos Lírrios, 70 - Vila Sul Americana  
Carapicuíba | São Paulo | Brazil  
Postal Code: (CEP) 06394-010  
Telephone: +55 (11) 4181.5054  
E-mail: comercial@reichenbach.com.br

[www.reichenbach.com.br](http://www.reichenbach.com.br)

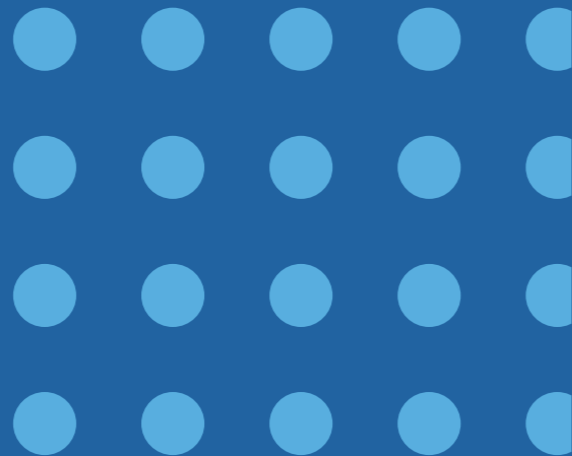
**CATALOGUE**



# Actively looking for new representative sales partners



- Brazil | Reichenbach
- Turkey | Uygur | Extruders
- Turkey | Domeks | Packaging Machines
- USA | Microweld | Welding Machines
- USA, India | Walson Woodburn | Dies
- USA | QMS | Representative



# Summary

About Reichenbach	04
Customer Services	05
Drawing Machines	06
Annealers	08
Spoolers	10
Downcoilers	12
Payoffs	14
Bunchers	16
Partnerships	18

# About Reichenbach

In over 25 years of hard work and dedication, Reichenbach Equipment has become one of the leading Wire & Cable Equipment Manufacturer in Brazil, working in partnership with some of the sector's largest companies in the world.



Founded in 1993, Reichenbach Equipment is a Brazilian company, located in the Sao Paulo area, Brazil. It is recognized as a synonym of quality and reliability, offering a wide range of equipment, and services to the wire and cable industry.

With a solid and professional structure, Reichenbach maintains a continuous program of research and development, to keep its status of an innovative company.

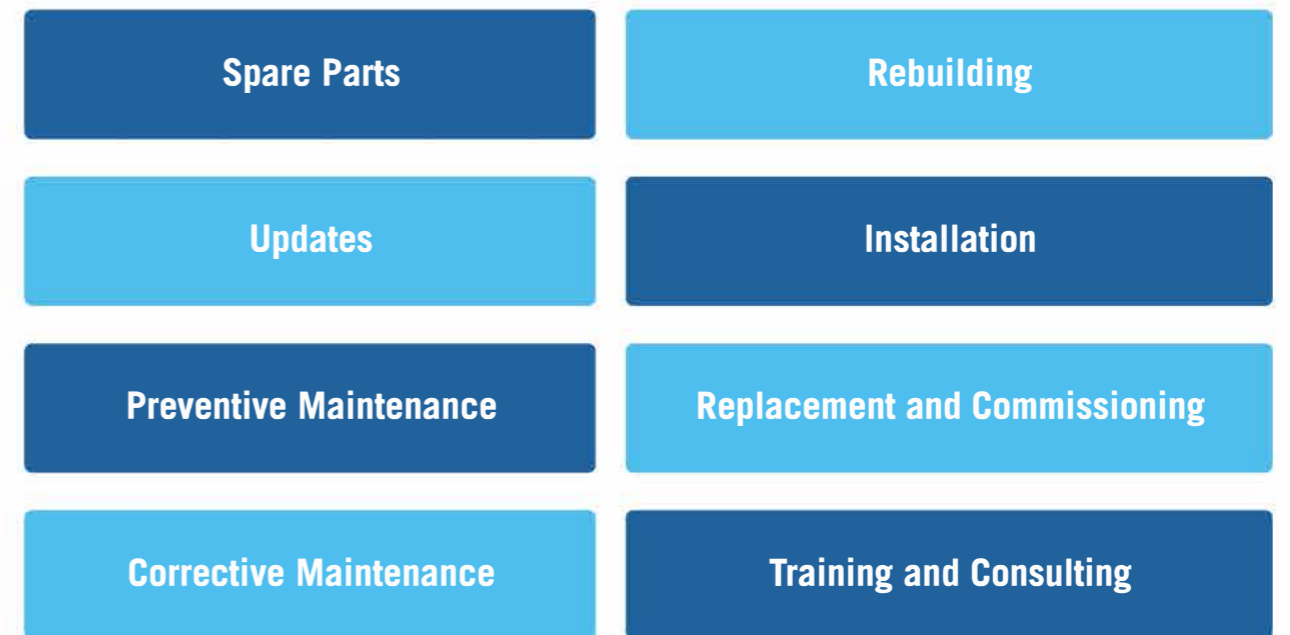
Your goal, as a company, is to deliver efficient, high-quality solutions to your customers.

In 2011 Reichenbach Equipment reached the marking of 1,000 equipment sold, showing that the effort of pursuing a long-term partnership with all our customers is perceived by the market and pays back satisfying their growing needs of development and production.



# Customer Services

With the aim of supplying a complete and qualified support, Reichenbach Equipment offers its customers the most customized range of services:



# Equipment

Reichenbach Equipment provides a full range of equipment such as:

- Drawing Machines
- Annealers
- Bunchers
- Spoolers
- Payoffs
- Coil Machines
- Filters
- Unwinders
- Stranders
- Screening Lines
- Downcoilers
- Packaging Machines
- Taping Lines
- Dancers
- Capstans
- Mills
- Pointing Machines
- Special Equipment

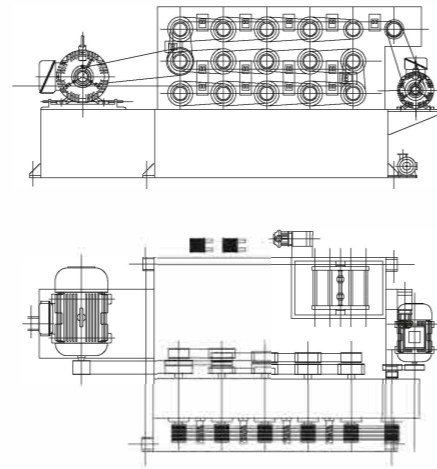
# Drawing Machines

Adequate to work with a wide range of ferrous and non-ferrous materials such as Copper, Tinned Copper, Aluminum, Aluminum Alloys, Brass, Steel, Inox Steel, Silver, Gold, Platinum and others.

## Main Advantages:

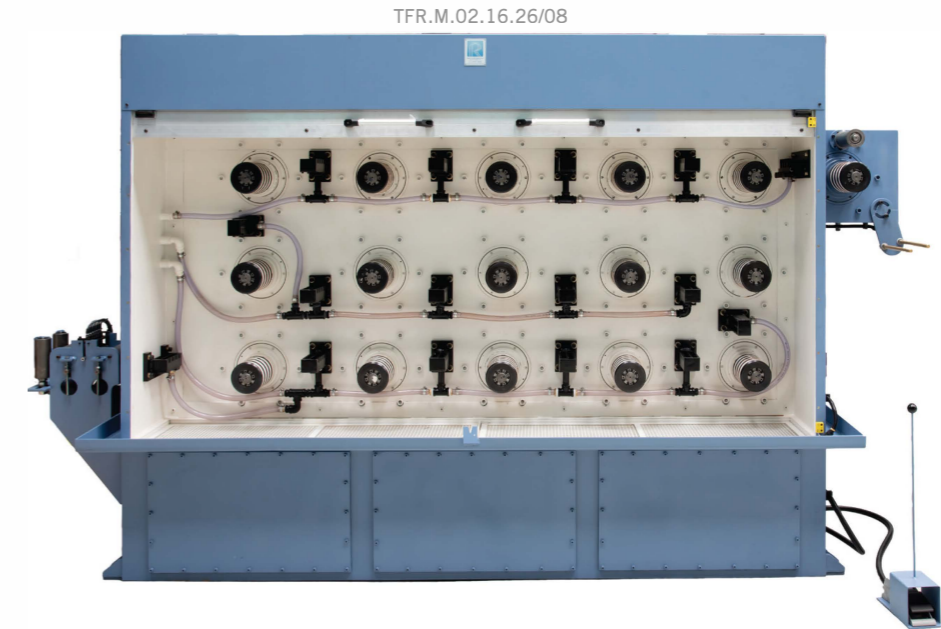
- Robust, Compact and Reliable
- Low Power Consumption
- High Drawing Speed
- Low Production Cost

## Details



TFR.M.02.16.26/08

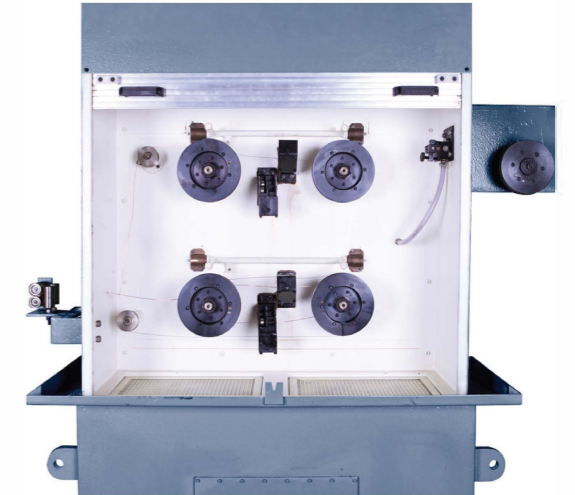
Machine Models	Number of Wires	Inlet Ø mm <sup>2</sup> (AWG)	Outlet Ø mm <sup>2</sup> (AWG)	Maximum Production Speed m/s (FPM)	Average Production Output Tons (Copper) (7,000h)
TFR.01 Superfine	02	1.44 mm (15)	0.05 ... 0.25mm (44...30 AWG)	25 m/s (4,921 FPM)	240 ton
TFR.02 Compact	02	1.83 mm (13)	0.20 ... 0.51mm (32...24 AWG)	25 m/s (4,921 FPM)	780 ton
TFR.02 Four Wires	04	1.83 mm (13)	0.20 ... 0.51mm (32...24 AWG)	30 m/s (5,905 FPM)	1,750 ton
TFR.02 Multiwires	08   16	1.83 mm (13)	0.10 ... 0.51mm (38...24 AWG)	31 m/s (6,102 FPM)	3,600   7,500
TFR.02 Multiwires Multimotors	08   16	1.83 mm (13)	0.20 ... 0.51mm (32...24 AWG)	35 m/s (6, 102 FPM)	7,500 ton
TFR.04 Rodbreakdown Multimotors Copper	01   02	9.5mm – 8.00mm (1/0 – 1)	1.29 ... 4.62mm (16...5 AWG)	35 m/s (6,889 FPM)	16,200 ton
TFR.04 Rodbreakdown Multimotors Aluminium	01   02	9.5mm – 8.00mm (1/0 – 1)	1.29 ... 4.62mm (16...5 AWG)	35 m/s (6,889 FPM)	5,400 ton



TFR.M.02.16.26/08



TFR.02.C.17.26/02



TFR.02.17.26/04



TFR.T.04.M/01

# Annealers

Robust and compact Reichenbach Annealers are used to anneal copper (and other non-ferrous metals) in DC continuous resistance mode through rectifying bridge in perfect synchronization with drawing machines.

## Main Advantages:

- Constant and uniform annealing along the wire length
- Self-generating protective vapor atmosphere
- Easy and cheap maintenance / spare parts
- Incorporated Heat Exchanger



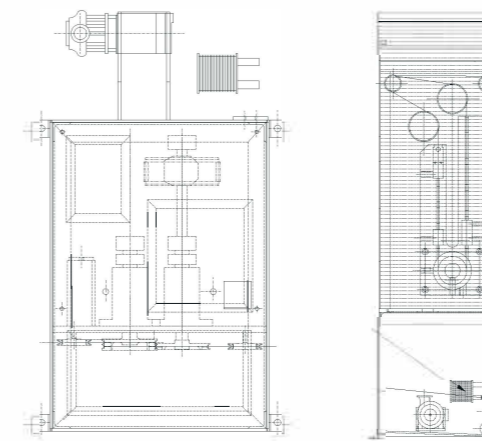
RCR.02



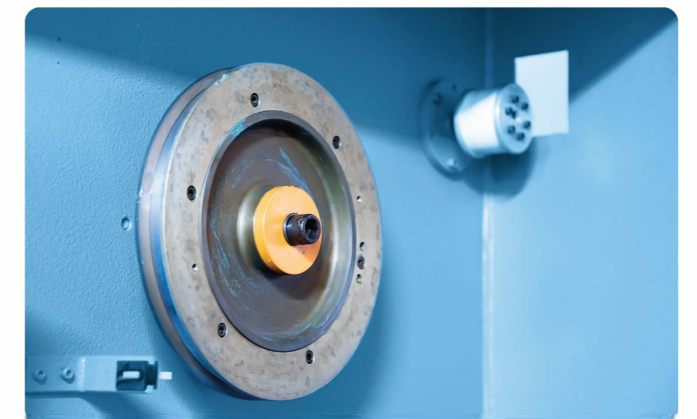
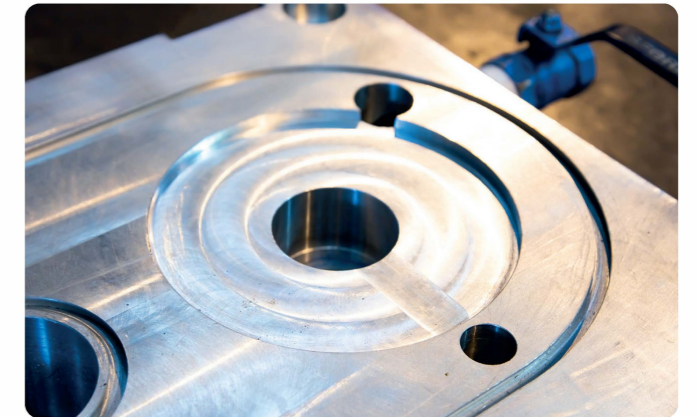
RCR.2,5

## Details

*Ni-Cr stripes are used to avoid contact pulley wear increasing machines running time*



RCR.02



Machine Models	Maximum Diameters mm (AWG)	Maximum Production Speed m/s (FPM)	Amperage (A)
RCR.01	0.32 mm (22 AWG)	30m/s - 5,905 FPM	80 / 150 (A)
RCR.02	0.64 mm (22 AWG)	30m/s - 5,905 FPM	400 / 800 (A)
RCR.2,5	1.08 mm (17,5 AWG)	35m/s - 6,1 02 FPM	1,300 / 3,000 (A)
RCR.04	4.11 mm (6 AWG)	35m/s - 6,889 FPM	3,500 / 6,000 (A)

# Spoolers

Used for coiling wires and cables of various materials such as copper, aluminum, insulated cables, steel, etc.

## Main Advantages:

- Operator-friendly equipment
- Precise traversing system
- Low power consumption
- Low maintenance
- Automatic stroke

Machine Models	Maximum Spool Flange Diameter mm (inches)	Maximum Production Speed m/s (FPM)
BOR.01	250 mm (10 inches )	30 m/s (5,905 FPM)
BOR.02	406 mm (16 inches)	30 m/s (5,905 FPM )
BOR.03	630 mm (24 inches)	35 m/s (6,889 FPM)
BOR.03/02 Automatic Change / Double	(2x) 630 mm ((2x) 24 inches)	35 m/s (6,889 FPM)
BOR.04	800 mm (31 inches)	35 m/s (6,889 FPM)
BOR.04/02 Automatic Change / Double	(2x) 800 mm ((2x) 31 inches)	35 m/s (6,889 FPM)
BOR.05	1,000 mm (40 inches)	35 m/s (6,889 FPM)
BOR.CO (Columns Type)	2,600 mm (102 inches)	5 m/s (984 FPM)
BOR.PO (Portal Type)	2,600 mm (102 inches )	5 m/s (984 FPM)

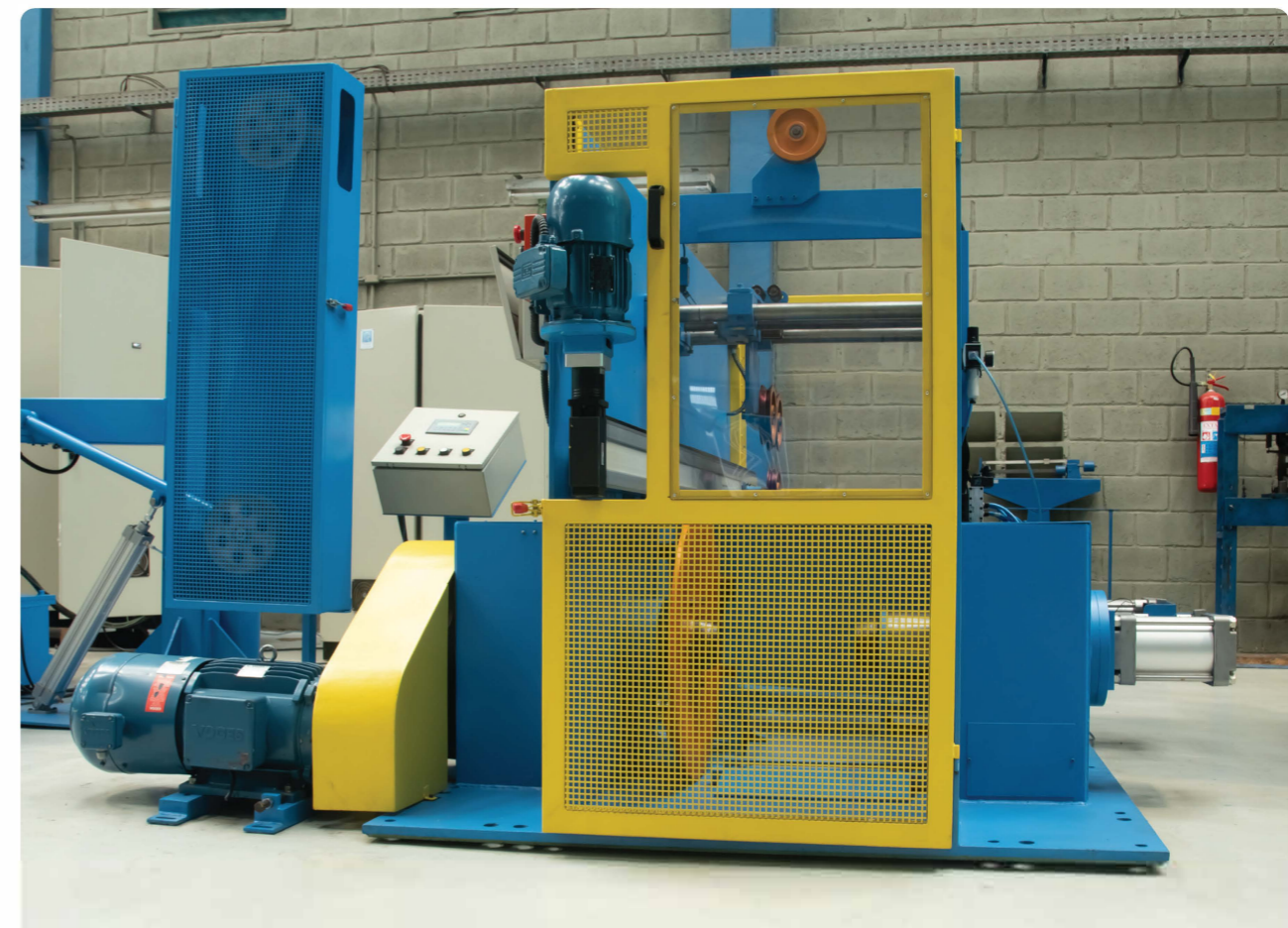


## Details

Precise spreading by threaded spindle driven by stepper motor, working by torque or speed control through a dancer



BOR.03.CP.02/639 and BOR.04.CP.02/800  
Automatic Double Spooler



# Downcoilers

Used along with Rod Breakdown Drawing Lines to recall copper, aluminum, aluminum alloys or steel, wires in barrels, stems or cardboards.

## Main Advantages:

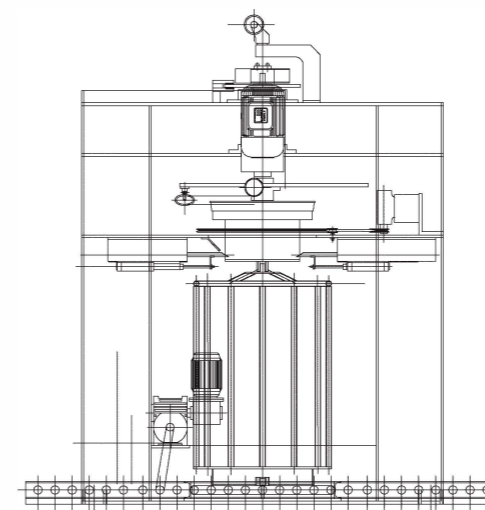
- Automatic basket changes
- Rosette pattern laying



Machine Models	Capstan Diameter mm (inches)	Maximum Production Speed m/s (FPM)
ENR.630	630mm (24 inches)	30 m/s (5,905 FPM)
ENR.800	800mm (31 inches)	35 m/s (5,905 FPM)
ENR.1.000	1.000mm (40 inches)	30 m/s (5,905 FPM)

## Details

Speed control by electronic means or by a pully dancer



ENR.C/630 | 800 | 1.000 | Downcoiler



# Payoffs

Available in several models for a wide range of applications.  
May be motorized, static or dynamic.

## Main Advantages:

- Stable wire tension control
- Wire break control

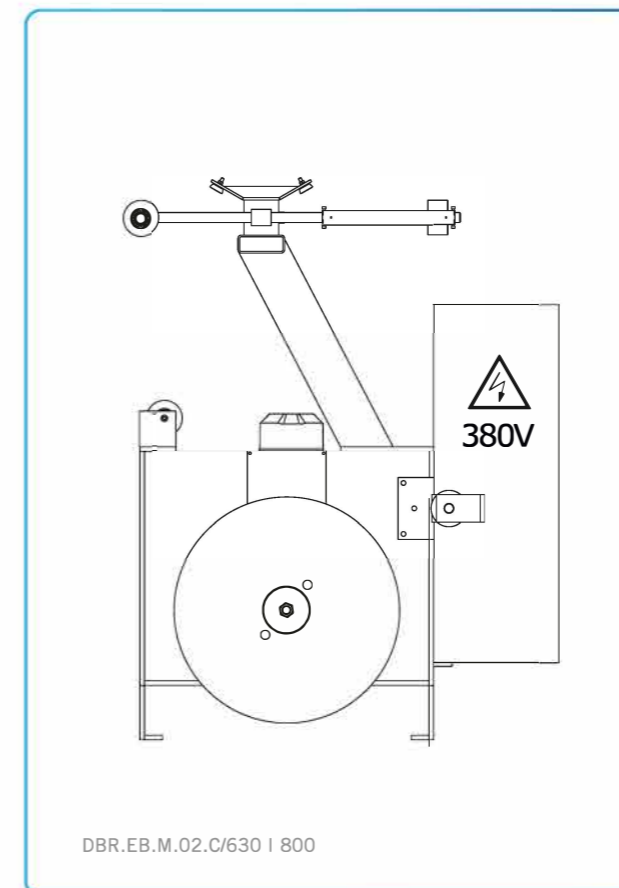


- Double Motorized Payoff**
- Triphasic A.C. motor
  - High performance
  - Maintenance-free
  - Twist Free Payoff
  - Energy-efficient

Payoff I DBR.EB.M.02.C/630 I 800

### Machine Models

Machine Models	Type	Maximum Spool Flange Diameter mm (inches)
DBR.EB	Cantilever Shaft	800mm (31 inches)
DBR.CA	Cantilever Mounting	1,250mm (48 inches)
DBR.PO	Portal	2.100mm (84 inches)
DBR.CO	Columns	3.600mm (158 inches)
DBR.DF	Table I Defilé	800 mm (31 inches)
DBR.C	Static Cones	1.200 mm (48 inches)
DBR.F	Flyer	800 mm (31 inches)
DRR.V	Rod Unwinder	Rods
DSR.C	Basket Wire Unwinder	Baskets





# Bunchers

- Also work as a twinner or threenner for telephonic cables, control cables, P.P. cables.
- May be used with or without compacting dies.
- Versions with or without capstan.
- Used for wire cabling versions.
- Double or single twist.

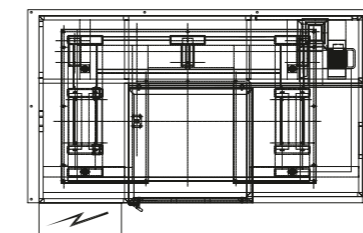
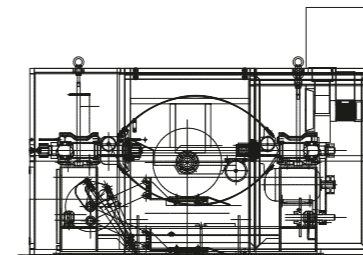
## Main Advantages:

- Single bow design for high energetic efficiency
- Internal camera for production monitoring
- Electronic lay length adjustment
- Wireless data transmission
- Soundproof cabinet
- Automatic traverse

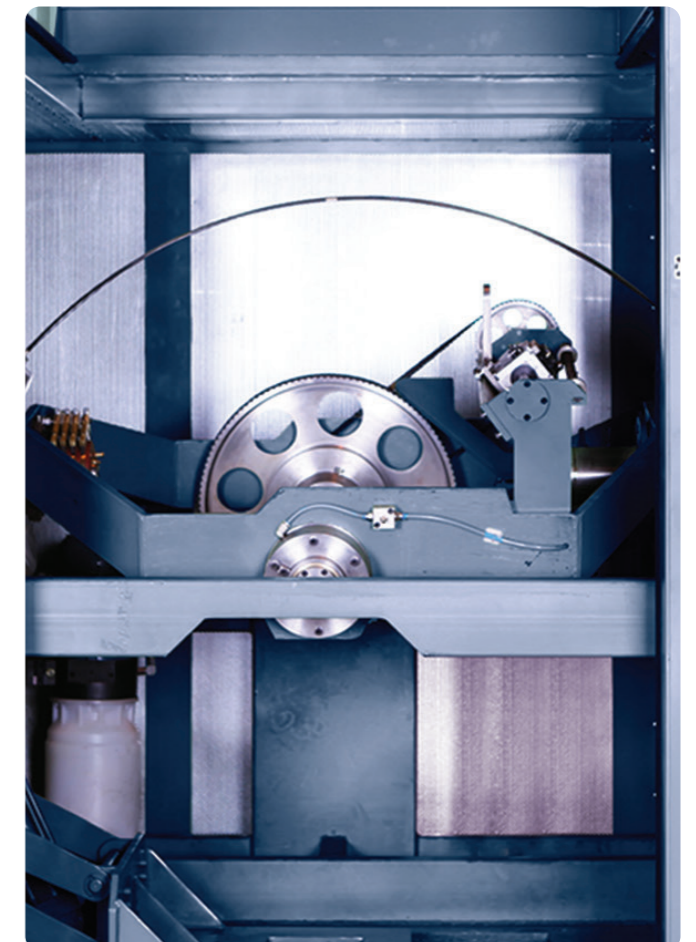


## Details

*Electronical Lay Length Adjustment through PLC and MMI.*  
*Integrated Electrical Panel*



Buncher BUR.DT.EM/630



Machine Models	Maximum Spool Flange Diameter mm (inches)	Maximum Twists per Minute (tpm)	Maximum Cross Section mm <sup>2</sup> (AWG - KCMIL)
BUR/250	250mm (10 inches)	6,000 tpm	4 mm <sup>2</sup> (11 AWG)
BUR/400	406mm (16 inches)	6,000 tpm	6 mm <sup>2</sup> (9 AWG)
BUR/630	630mm (24 inches)	6,000 tpm	16 mm <sup>2</sup> (5 AWG)
BUR/800	800mm (31 inches)	4,500 tpm	25 mm <sup>2</sup> (3 AWG)
BUR/1.000	1.000mm (40 inches)	3,000 tpm	70mm <sup>2</sup> (2/0 AWG)
BUR/1.250	1.250mm (48 inches)	1,600 tpm	120 mm <sup>2</sup> (250 KCMIL)
BUR/1.600	1.600mm (66 inches)	1,000 tpm	240 mm <sup>2</sup> (500 KCMIL)

# Partnerships



Reichenbach has a worldwide partnership net with leading/referential brands in their regions and abroad. This net allows Reichenbach Equipment to have a wide capacity to provide services and spare parts to its machines.



Uygar is a company based in Denizli – TUR since (1994) and offers the highest quality EXTRUDERS and EXTRUSION LINES for the production of wires and cables. Working under international standards, Uygar's extruders have one of the highest output rates of the market.



Domeks is a Turkish company focused in the production of AUTOMATIC COILING AND PACKAGING lines for the wire and cable market. They also supply high output machines for the production of PVC.



Microweld is the leading BUTT WELDERS supplier in the US market with the highest performance machines, robust and reliable products for ferrous and non-ferrous wires and cables.



Walson Woodburn Dies are a joint venture between Indian and American companies, producing the best and higher performance DRAWING AND COMPACTING DIES for the wire and cable market.

